



CONVEYOR LOGISTICS

PRODUCT OVERVIEW



CONVEYOR ROLLERS

www.conveyorlogistics.com.au



INTRODUCTION

Conveyor Logistics offers a wide range of conveyor rollers. From light duty PVC rollers to heavy duty pallet handling conveyor rollers.

Our most common rollers are documented in this overview however, if the roller you are after is not shown, please contact us and we will provide further information upon your request.

Multiple driving variations of our conveyor rollers include: O ring, Poly V, Grooved & Sprocket.

2mm PVC Sleeving is available on request for additional friction between the roller and conveyed product.

We offer tapered or twin conveyor rollers for your curve conveying applications.

We can custom design conveyor rollers to suit your specific application.

Available in various materials: Zinc Plated Mild Steel, Stainless Steel and PVC.

Our conveyor rollers are practically maintenance free meaning you are not required to grease or oil the bearings at specific intervals over the life time of the roller.

This is achieved through the use of quality sealed bearing and housing components, maximizing to keep any intrusive substances out.

LOAD CHART

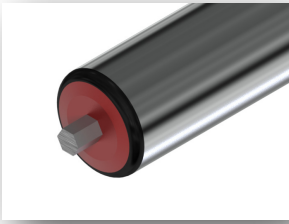
| D (TUBE DIA) | SHAFT OPTION | TUBE MATERIAL | | LENGTH | | | | | | | | |
|--------------|---------------|---------------|------------------|--------|-----|-----|-----|------|------|------|------|------|
| | | | | 200 | 400 | 600 | 800 | 1000 | 1200 | 1400 | 1600 | 1800 |
| 25 x 1.0 | SPRING LOADED | MILD STEEL | L O A D | 40 | 40 | 25 | 12 | 8 | - | - | - | - |
| 38 x 1.2 | SPRING LOADED | MILD STEEL | | 120 | 120 | 100 | 60 | 35 | 25 | 20 | - | - |
| 50 x 1.5 | SPRING LOADED | MILD STEEL | | 140 | 140 | 140 | 140 | 110 | 80 | 60 | 40 | - |
| 60 x 2.0 | SPRING LOADED | MILD STEEL | K G | 140 | 140 | 140 | 140 | 140 | 140 | 120 | 90 | 80 |
| 76 x 3.0 | SPRING LOADED | MILD STEEL | | 250 | 250 | 250 | 200 | 150 | 100 | 100 | 100 | 100 |
| 89 x 3.0 | SPRING LOADED | MILD STEEL | | 430 | 430 | 430 | 430 | 430 | 430 | 400 | 350 | 300 |

Note! Load factors are nominal and must not be exceeded.

For further information and special applications please contact Conveyor Logistics.



ROLLER OVERVIEW



GRP Series - Precision Bearings - Polymer Endcap

Diameter: Ø38 - Ø50 - Ø60

Shaft: Ø10 - Ø12 - 11 Hexagon (11mm Across Flats)

Material: ZP Steel - PVC - Stainless Steel

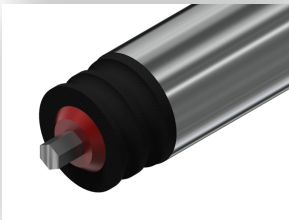


GRS Series - Semi Precision Bearings / Precision Bearings - Steel Endcap

Diameter: Ø25 - Ø38 - Ø50 - Ø60 - Ø76 - Ø89

Shaft: Ø8 - Ø10 - Ø12 - Ø15 - Ø20 - 11 Hexagon (11mm Across Flats)

Material: ZP Steel - Stainless Steel



PGO Series - Precision Bearings - Poly O Ring Groove Endcap

Diameter: Ø50 - R5 Grooves

Shaft: Ø12 - 11 Hexagon (11mm Across Flats)

Material: ZP Steel - PVC - Stainless Steel



PGV Series - Precision Bearings - Poly Vee Groove Endcap

Diameter: Ø50 - 'J' Pitch Poly Vee Grooves

Shaft: Ø12 - 11 Hexagon (11mm Across Flats)

Material: ZP Steel - PVC - Stainless Steel

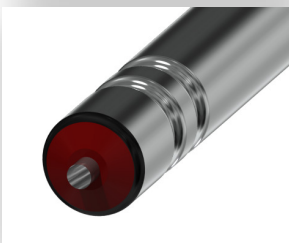


SP1 & SP2 Series - Precision Bearings

Diameter: Ø50 - Ø60 - Ø76 - Ø89 - Single or Double - Steel or Poly Sprocket

Shaft: Ø10 - Ø12 - Ø15 - Ø20 - 11 Hexagon (11mm Across Flats)

Material: ZP Steel - PVC - Stainless Steel

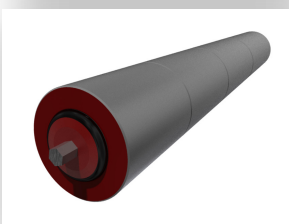


TG1 & TG2 Series - Precision Bearings - Polymer Endcap

Diameter: Ø38 - Ø50 - Ø60 - Single or Double Grooves

Shaft: Ø10 - Ø12 - 11 Hexagon (11mm Across Flats)

Material: ZP Steel - PVC - Stainless Steel



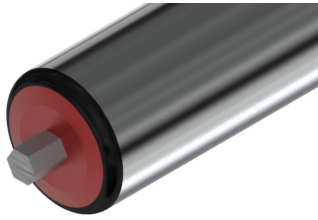
Taper Series - Precision Bearings - Polymer Endcap

Diameter: Ø50 - c/w PVC Conical Taper Sleeves for Curve Conveyors

Shaft: Ø10 - Ø12 - 11 Hexagon (11mm Across Flats)

Material: ZP Steel - Stainless Steel

GRP SERIES



GRP Series Rollers

Suitable for free running gravity conveyors and high speed powered conveyor applications

Roller maximum lineal speed: 120 meters per min (m/min)

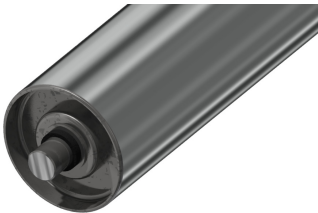
Operating temperatures: -5 °C to 40 °C

Capacity: 120kg (nom.) Refer to load chart



| D | SD | TUBE MATERIAL | SHAFT MATERIAL | SL | TW | E |
|----------|-----------------------|---|-------------------------|------------------|-------------|----------------|
| 38 x 1.2 | 10 / 12 / 11 HEX | ZINC PLATED STEEL / STAINLESS STEEL | STEEL / STAINLESS STEEL | SL = E + EX + EX | TW = E - 20 | SPECIFY LENGTH |
| 50 x 1.5 | 10 / 12 / 15 / 11 HEX | ZINC PLATED STEEL / STAINLESS STEEL / PVC | STEEL / STAINLESS STEEL | SL = E + EX + EX | TW = E - 20 | SPECIFY LENGTH |
| 60 x 2.0 | 10 / 12 / 15 / 11 HEX | ZINC PLATED STEEL / STAINLESS STEEL | STEEL / STAINLESS STEEL | SL = E + EX + EX | TW = E - 20 | SPECIFY LENGTH |

GRS SERIES



GRS Series Rollers

Suitable for free running medium to heavy duty gravity conveyors

Roller maximum lineal speed: 40 meters per min (m/min)

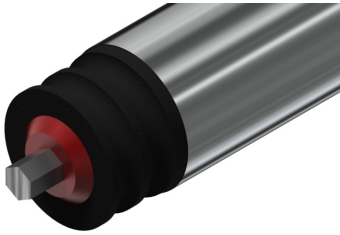
Operating temperatures: -5 °C to 40 °C

Capacity: 20kg up to 400kg (nom.) Refer to load chart



| D Ø | SD Ø | TUBE MATERIAL | SHAFT MATERIAL | SL | TW | E |
|----------|-----------------------|---|-------------------------|------------------|-------------|----------------|
| 25 x 1.0 | 8 | ZINC PLATED STEEL / STAINLESS STEEL | STEEL / STAINLESS STEEL | SL = E + EX + EX | TW = E - 6 | SPECIFY LENGTH |
| 38 x 1.2 | 10 / 12 / 11 HEX | ZINC PLATED STEEL / STAINLESS STEEL / PVC | STEEL / STAINLESS STEEL | SL = E + EX + EX | TW = E - 20 | SPECIFY LENGTH |
| 50 x 1.5 | 10 / 12 / 15 / 11 HEX | ZINC PLATED STEEL / STAINLESS STEEL / PVC | STEEL / STAINLESS STEEL | SL = E + EX + EX | TW = E - 20 | SPECIFY LENGTH |
| 60 x 2.0 | 12 / 15 / 11 HEX | ZINC PLATED STEEL / STAINLESS STEEL | STEEL / STAINLESS STEEL | SL = E + EX + EX | TW = E - 20 | SPECIFY LENGTH |
| 76 x 3.0 | 15 / 20 | ZINC PLATED STEEL / STAINLESS STEEL | STEEL / STAINLESS STEEL | SL = E + EX + EX | TW = E - 20 | SPECIFY LENGTH |
| 89 x 3.0 | 15 / 20 / 25 | ZINC PLATED STEEL / STAINLESS STEEL | STEEL / STAINLESS STEEL | SL = E + EX + EX | TW = E - 20 | SPECIFY LENGTH |

PGO SERIES



PGO Series Rollers

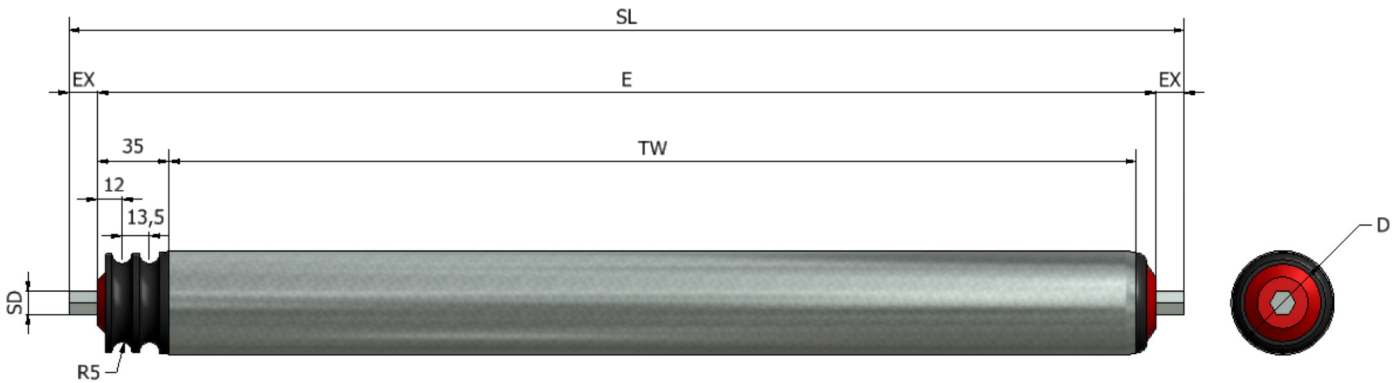
Suitable for powered roller conveyors, ZPA and high speed powered conveyor

Applications - Suit Ø5mm O-Ring drive bands.

Roller maximum lineal speed: 120 meters per min (m/min)

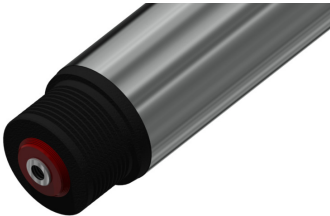
Operating temperatures: -5 °C to 40 °C

Capacity: 120kg (nom.) Refer to load chart



| D | SD | TUBE MATERIAL | SHAFT MATERIAL | SL | TW | E |
|----------|-------------|---|-------------------------|------------------|-------------|----------------|
| 50 x 1.5 | 12 / 11 HEX | ZINC PLATED STEEL / STAINLESS STEEL / PVC | STEEL / STAINLESS STEEL | SL = E + EX + EX | TW = E - 45 | SPECIFY LENGTH |

PGV SERIES



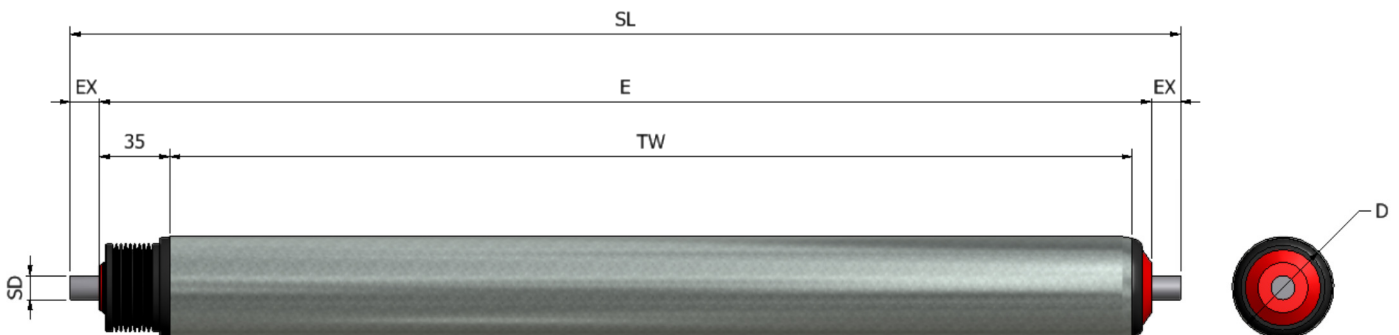
PGV Series Rollers

Suitable for incline / decline, high torque powered roller conveyors, ZPA and high speed powered conveyor applications - 9 x J Pitch Poly Vee Grooves

Roller maximum lineal speed: 120 meters per min (m/min)

Operating temperatures: -5 °C to 40 °C

Capacity: 120kg (nom.) Refer to load chart



| D | SD | TUBE MATERIAL | SHAFT MATERIAL | SL | TW | E |
|----------|-------------|---|-------------------------|------------------|-------------|----------------|
| 50 x 1.5 | 12 / 11 HEX | ZINC PLATED STEEL / STAINLESS STEEL / PVC | STEEL / STAINLESS STEEL | SL = E + EX + EX | TW = E - 45 | SPECIFY LENGTH |

SP SERIES



SP1 & SP2 Series Rollers

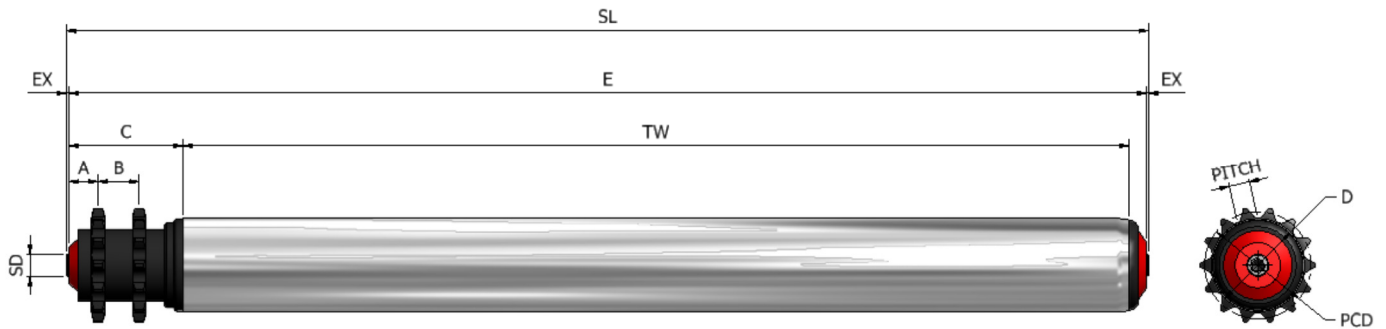
Suitable for medium / heavy duty powered roller conveyors, positive drive or Friction Accumulation conveyors

Applications - Various chain pitches available

Roller maximum lineal speed: 9 to 40 meters per min (m/min)

Single or Double Polymer or steel Sprockets

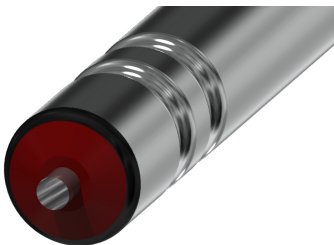
Operating temperatures: -5 °C to 40 °C - Capacity: 120kg (nom.) Refer to load chart



For sprocket data, please contact Conveyor Logistics.

| D | SD | TUBE MATERIAL | SHAFT MATERIAL | SL | TW | E |
|----------|----------------------|---|-------------------------|------------------|-------------|----------------|
| 50 x 1.5 | 10/ 12 / 15 / 11 HEX | ZINC PLATED STEEL / STAINLESS STEEL / PVC | STEEL / STAINLESS STEEL | SL = E + EX + EX | TW = E - 71 | SPECIFY LENGTH |
| 60 x 2.0 | 10/ 12 / 15 / 11 HEX | ZINC PLATED STEEL / STAINLESS STEEL / PVC | STEEL / STAINLESS STEEL | SL = E + EX + EX | TW = E - 71 | SPECIFY LENGTH |
| 76 x 3.0 | 15 / 20 | ZINC PLATED STEEL / STAINLESS STEEL | STEEL / STAINLESS STEEL | SL = E + EX + EX | TBC | SPECIFY LENGTH |
| 89 x 3.0 | 15 / 20 / 25 | ZINC PLATED STEEL / STAINLESS STEEL | STEEL / STAINLESS STEEL | SL = E + EX + EX | TBC | SPECIFY LENGTH |

TG SERIES



TG1 & TG2 Series Rollers

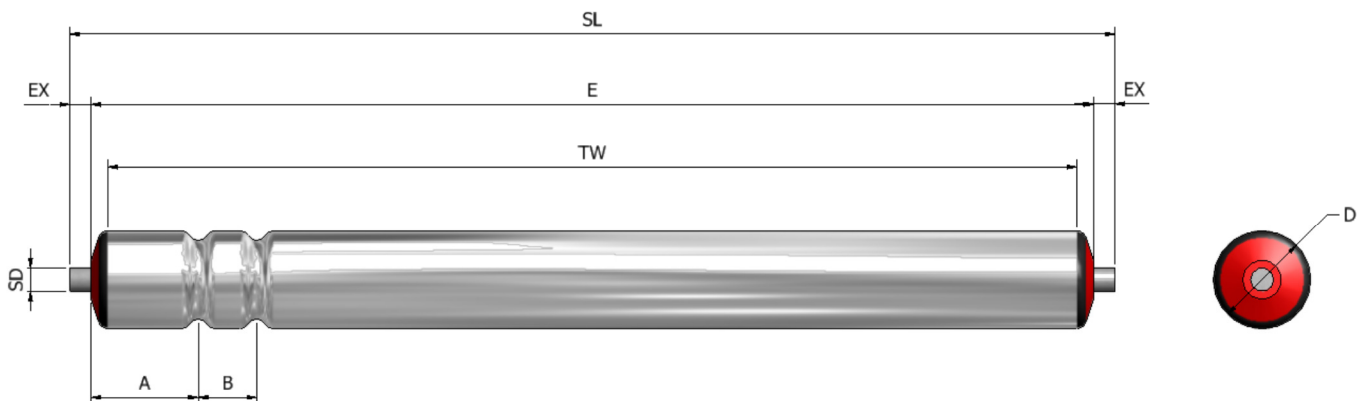
Suitable for light duty powered roller conveyors, Line shaft or ZPA conveyor

Applications - Suit Ø5mm O-Ring drive bands.

Roller maximum lineal speed: 120 meters per min (m/min)

Operating temperatures: -5 °C to 40 °C

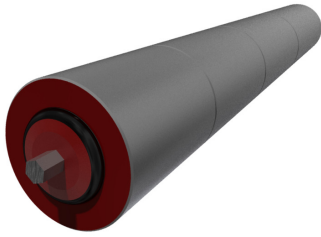
Capacity: 120 kg (nom.) Refer to load chart



| | | | | | | |
|----------|-----------------------|---|-------------------------|------------------|-------------|----------------|
| 38 x 1.2 | 10 / 12 / 11 HEX | ZINC PLATED STEEL / STAINLESS STEEL / PVC | STEEL / STAINLESS STEEL | SL = E + EX + EX | TW = E - 20 | SPECIFY LENGTH |
| 50 x 1.5 | 10 / 12 / 15 / 11 HEX | ZINC PLATED STEEL / STAINLESS STEEL / PVC | STEEL / STAINLESS STEEL | SL = E + EX + EX | TW = E - 20 | SPECIFY LENGTH |
| 60 x 2.0 | 12 / 15 / 11 HEX | ZINC PLATED STEEL / STAINLESS STEEL | STEEL / STAINLESS STEEL | SL = E + EX + EX | TW = E - 20 | SPECIFY LENGTH |



TAPER SERIES



Taper Series Rollers

Suitable for light / medium duty powered curve roller conveyors

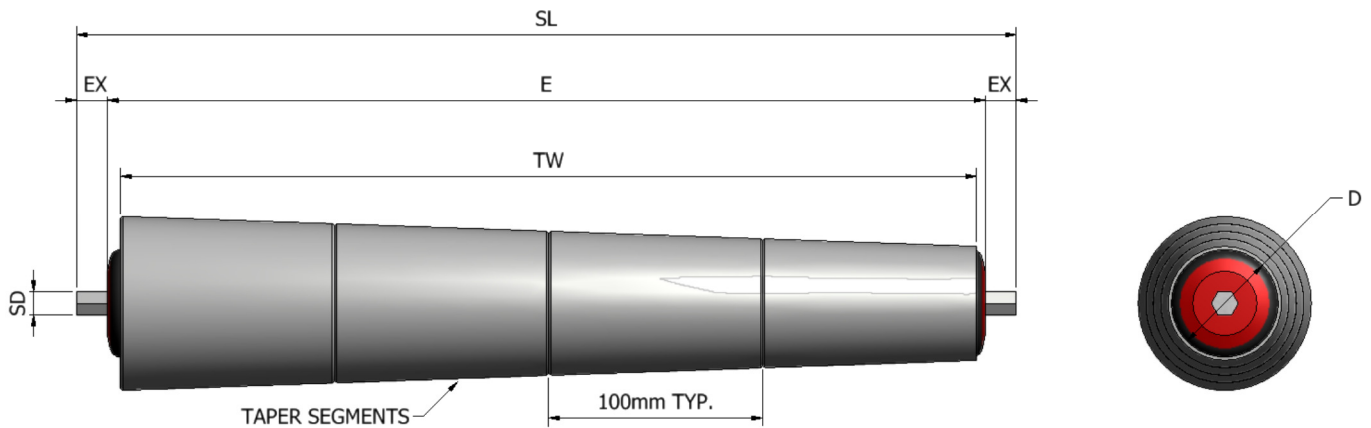
Applications - Available on all of our Ø50mm series rollers

Based on Ø50mm Roller with Conical Taper Segments

Roller maximum lineal speed: 120 meters per min (m/min)

Operating temperatures: -5 °C to 40 °C

Capacity: 50kg (nom.)



| D | SD | TUBE MATERIAL | SHAFT MATERIAL | SL | TW | E |
|----------|-----------------------|---|-------------------------|------------------|-------------|----------------|
| 50 x 1.5 | 10 / 12 / 15 / 11 HEX | ZINC PLATED STEEL / STAINLESS STEEL / PVC | STEEL / STAINLESS STEEL | SL = E + EX + EX | TW = E - 20 | SPECIFY LENGTH |

SHAFT OPTIONS (All Rollers)

Shaft options can be customized to suit your specific application.

We offer spring loaded, fixed or loose shafts in our conveyor rollers.

